

Gasoline containing up to 10% ethanol (E10) is acceptable for use in this machine. The use of any gasoline exceeding 10% ethanol (E10) will void the product warranty.

Parts Manual

RZ54i / 967003603



Please read the operator's manual carefully and make sure you understand the instructions before using the machine.

When you need spare parts or support in service questions, warranty issues, etc., please consult the following professional:

This Parts Manual belongs to the machine with the manufacturing number:	Engine	Transmission

Manufacturing Number

The machine's manufacturing number can be found on the printed plate affixed to the engine compartment.

Stated on the plate, from the top are:

- The machine's type designation (I.D.).
- The manufacturer's type number (Model).
- The machine's serial number (Serial no.)

Please have the type designation and serial number available when ordering spare parts.

The engine's manufacturing number is stamped on one of the valve covers.

The plate states:

- The engine's model.
- The engine's type.
- Code

Please have these available when ordering spare parts.

The wheel motors and hydrostatic pumps have a barcode decal affixed at the rear.

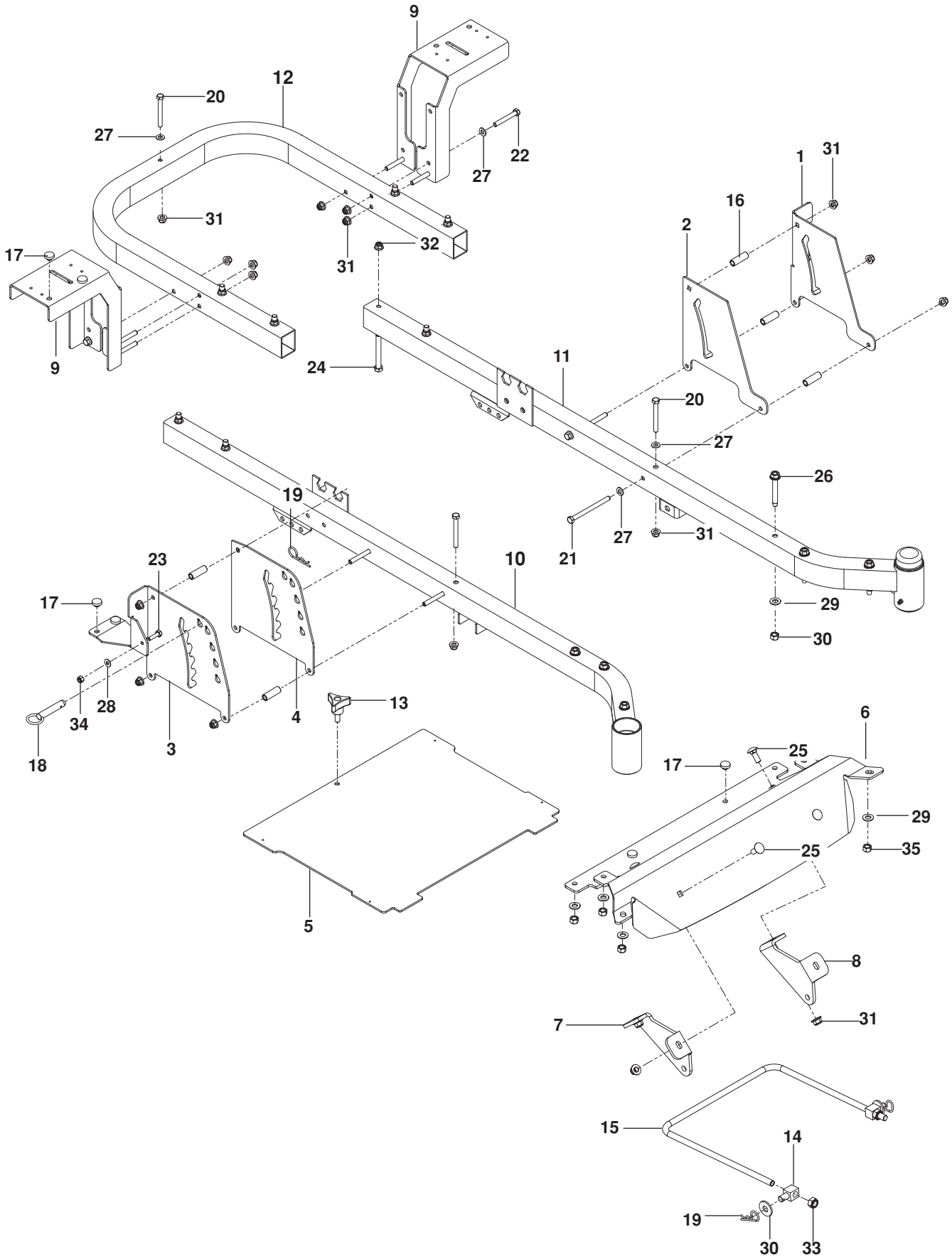
Accessories Available	
COLLECTION SYSTEM	966 004201
MULCH KIT	531 309626

CONTENTS

FRAME.....	4
ENGINE PLATE.....	6
STEERING	8
IGNITION.....	10
BRAKE / LIFT	12
HYDRAULIC PUMP / MOTOR	14
WHEELS AND TIRES.....	16
MOWER DECK / CUTTING DECK.....	18
SEAT	20
DECALS.....	22
ACCESSORIES	
CHUTES, MOUNT	24
BAGGER	26

NOTE: ALL FASTENERS ARE GRADE 5 UNLESS OTHERWISE SPECIFIED.

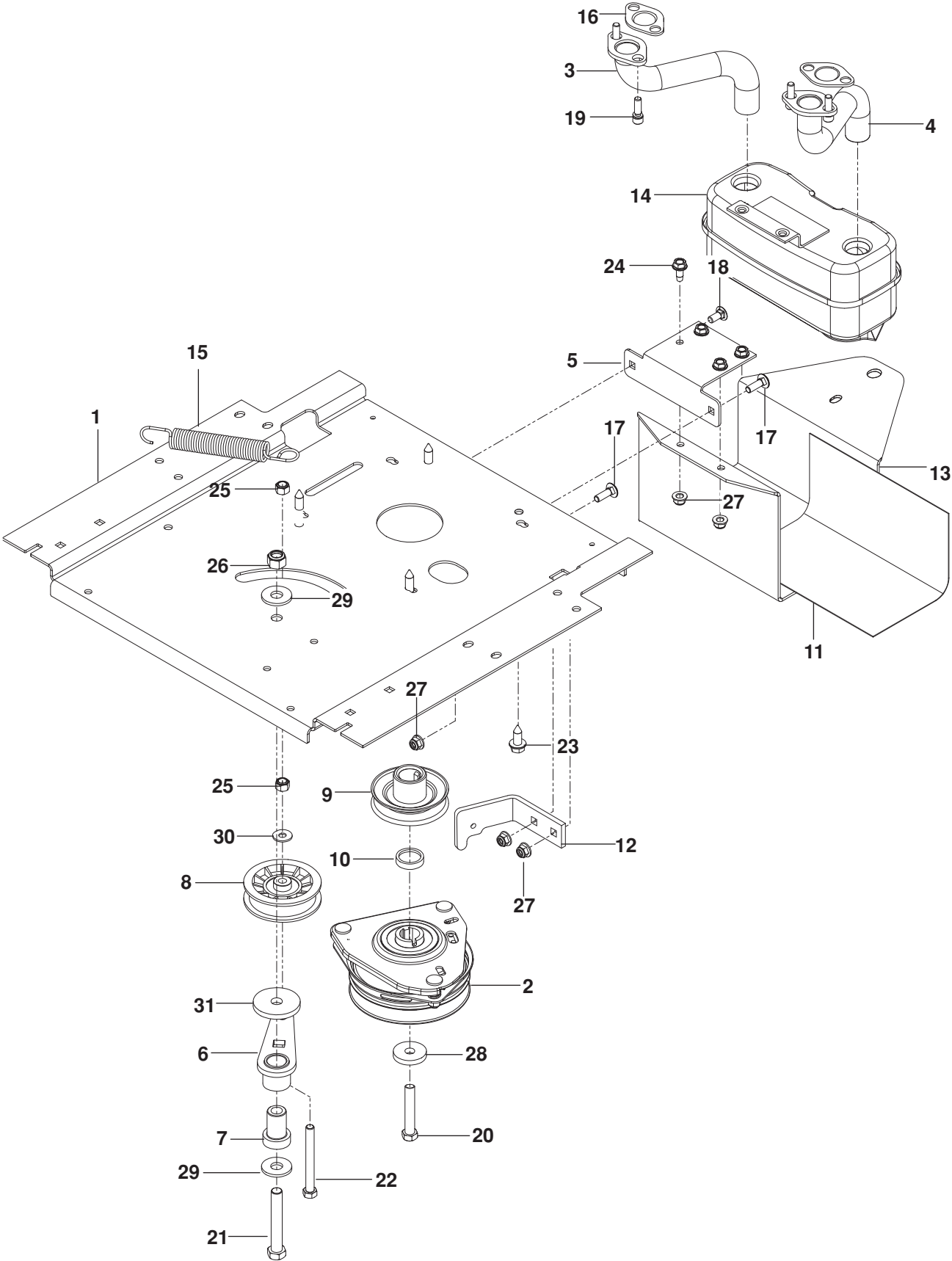
FRAME



FRAME

ITEM	PART NO.	QTY.	DESCRIPTION	ITEM	PART NO.	QTY.	DESCRIPTION
1..	510 261802....	1....	PLATE, OUTER BRAKE BLK	19..	539 976989....	3....	HAIRPIN
2..	510 206703....	1....	PLATE, BRAKE LATCH BLK	20..	539 101721....	3....	HCS $\frac{5}{16}$ -18 x $2\frac{3}{4}$
3..	510 245604....	1....	PLATE, LIFT OUTER BLK	21..	539 102335....	4....	HCS $\frac{5}{16}$ -18 x 4
4..	510 240502....	1....	PLATE, LIFT INNER BLK	22..	539 976938....	6....	HCS $\frac{5}{16}$ -18 x $2\frac{1}{4}$
5..	522 842902....	1....	FOOT PLATE w/ SFTY DECLS	23..	539 977761....	2....	HCS $\frac{1}{4}$ -20 x 1
6..	522 719504....	1....	FOOT REST ORG	24..	539 101341....	8....	HCS $\frac{3}{8}$ -16 x 3
7..	522 443302....	1....	MOUNT, STRUT RT BLK	25..	539 990645....	4....	RHSNB $\frac{3}{8}$ -16 x 1
8..	522 443304....	1....	MOUNT, STRUT LT BLK	26..	539 111976....	6....	BOLT $\frac{3}{8}$ -16 x $2\frac{5}{8}$ THD FRM
9..	510 225902....	2....	SUPPORT, FENDER BLK	27..	539 990188..	13....	WASHER $\frac{5}{16}$ SAE FLT
10..	510 177503....	1....	FRAME, FRONT RT ORG	28..	539 990055....	2....	WASHER $\frac{1}{4}$ FLT
11..	510 177403....	1....	FRAME, FRONT LT ORG	29..	539 990517....	6....	WASHER $\frac{3}{8}$ STD FLT
12..	510 177603....	1....	FRAME, REAR TUBE ORG	30..	539 109554....	2....	WASHER $\frac{1}{2}$ FLT
13..	539 104411....	1....	KNOB w/ STUD	31..	539 112899..	15....	NUT $\frac{5}{16}$ -18 HEX FLG NYLOC
14..	539 114789....	2....	SWIVEL	32..	521 996501....	8....	NUT $\frac{3}{8}$ -16 HEX FLG NYLOC
15..	521 938101....	1....	LINK, FRONT SUSPENSION	33..	539 119124....	2....	NUT $\frac{7}{16}$ -14 HEX NYLOC
16..	580 486101....	6....	SPACER $\frac{1}{2}$ OD x $1\frac{1}{2}$	34..	539 976978....	2....	NUT $\frac{1}{4}$ -20 HEX NYLOC
17..	539 102587....	6....	GROMMET, BUMPER	35..	539 200282....	6....	NUT $\frac{3}{8}$ -16 HEX JAM NYLOC
18..	510 016503....	1....	LIFT PIN				

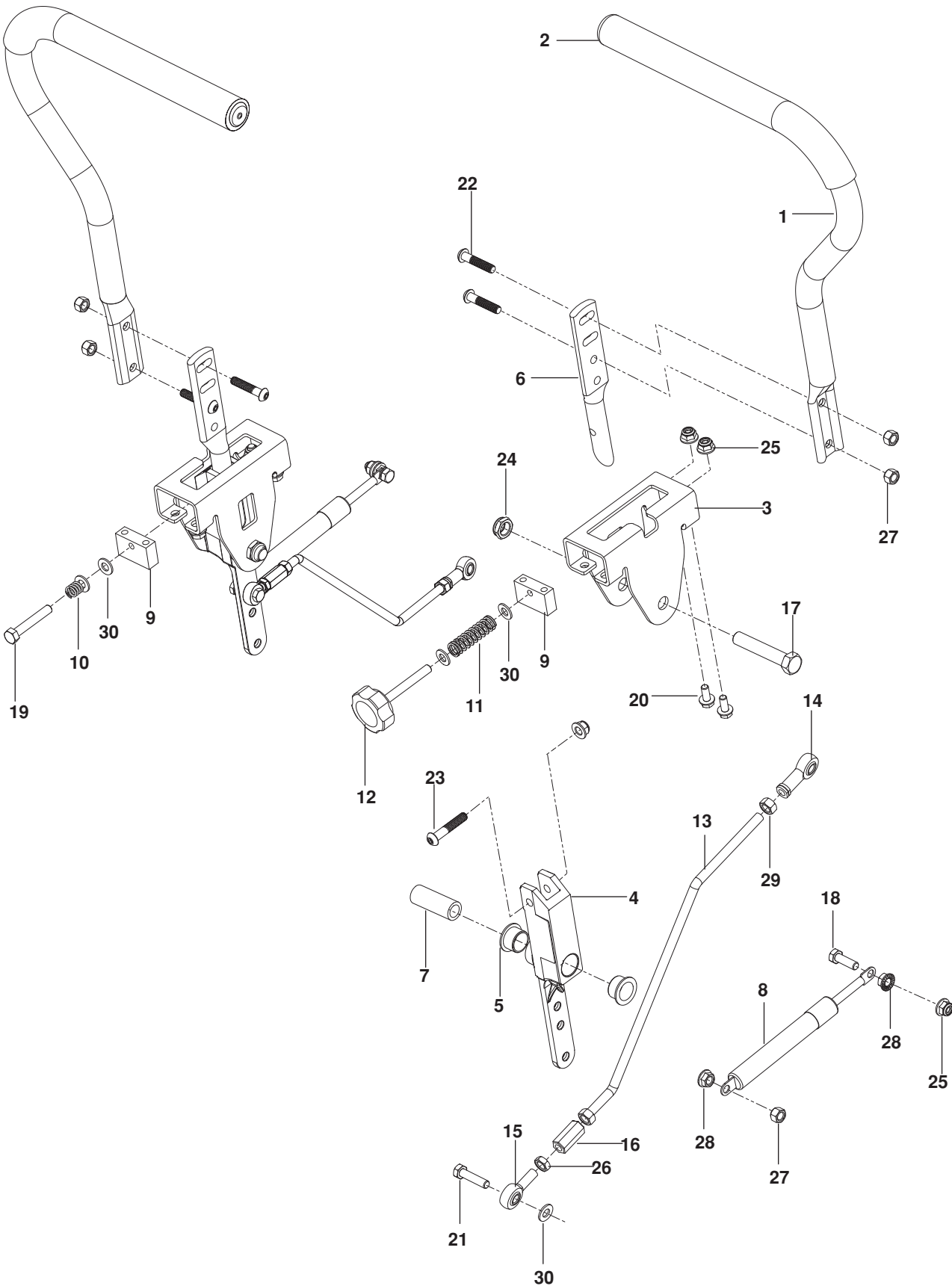
ENGINE PLATE



ENGINE PLATE

ITEM	PART NO.	QTY.	DESCRIPTION	ITEM	PART NO.	QTY.	DESCRIPTION
1..	532 448161....	1....	PLATE, ENGINE BLK	18..	539 990316....	1....	RHSNB $\frac{5}{16}$ -18 x $\frac{3}{4}$
2..	532 400008....	1....	CLUTCH	19..	532 183906....	4....	SCREW, SCKT HD
3..	532 159955....	1....	TUBE, EXHAUST RT	20..	576 968001....	1....	HCS $\frac{7}{16}$ -20 x $2\frac{1}{2}$
4..	532 160589....	1....	TUBE, EXHAUST LT	21..	539 103433....	1....	HCS $\frac{1}{2}$ -13 x $3\frac{1}{4}$
5..	510 260402....	1....	BRACKET, MUFFLER BLK	22..	539 109389....	1....	HCS $\frac{3}{8}$ -16 x $3\frac{1}{2}$
6..	539 112092....	1....	ARM, IDLER	23..	532 120616....	4....	HHFS $\frac{3}{8}$ -16 x 1 THD FRM
7..	539 101231....	1....	SPINDLE, IDLER	24..	525 464701....	4....	BOLT $\frac{5}{16}$ -18 x $\frac{3}{4}$ THD FRM
8..	539 110311....	1....	PULLEY, IDLER	25..	539 976979....	2....	NUT $\frac{3}{8}$ -16 HEX NYLOC
9..	539 114530....	1....	PULLEY, ENGINE	26..	539 101331....	1....	NUT $\frac{1}{2}$ -13 HEX NYLOC
10..	577 094601....	1....	SPACER	27..	539 112899....	5....	NUT $\frac{5}{16}$ -18 HEX FLG NYLOC
11..	510 260502....	1....	SHIELD, MUFFLER	28..	532 126197....	1....	WASHER, CLUTCH
12..	522 442506....	1....	STOP, CLUTCH BLK	29..	539 109554....	2....	WASHER $\frac{1}{2}$ FLT
13..	510 260502....	1....	GUARD, MUFFLER BLK	30..	539 990692....	1....	WASHER $\frac{5}{16}$ STD FLT
14..	539 131604....	1....	MUFFLER ASSY	31..	539 112670....	1....	WASHER, HEAVY
15..	532 196105....	1....	SPRING, DECK DRIVE	NOT SHOWN			
16..	532 165391....	2....	GASKET, MUFFLER	532 198316 ...	1....	ADAPTER, CLUTCH	
17..	539 990208....	2....	RHSNB $\frac{5}{16}$ -18 x 1				

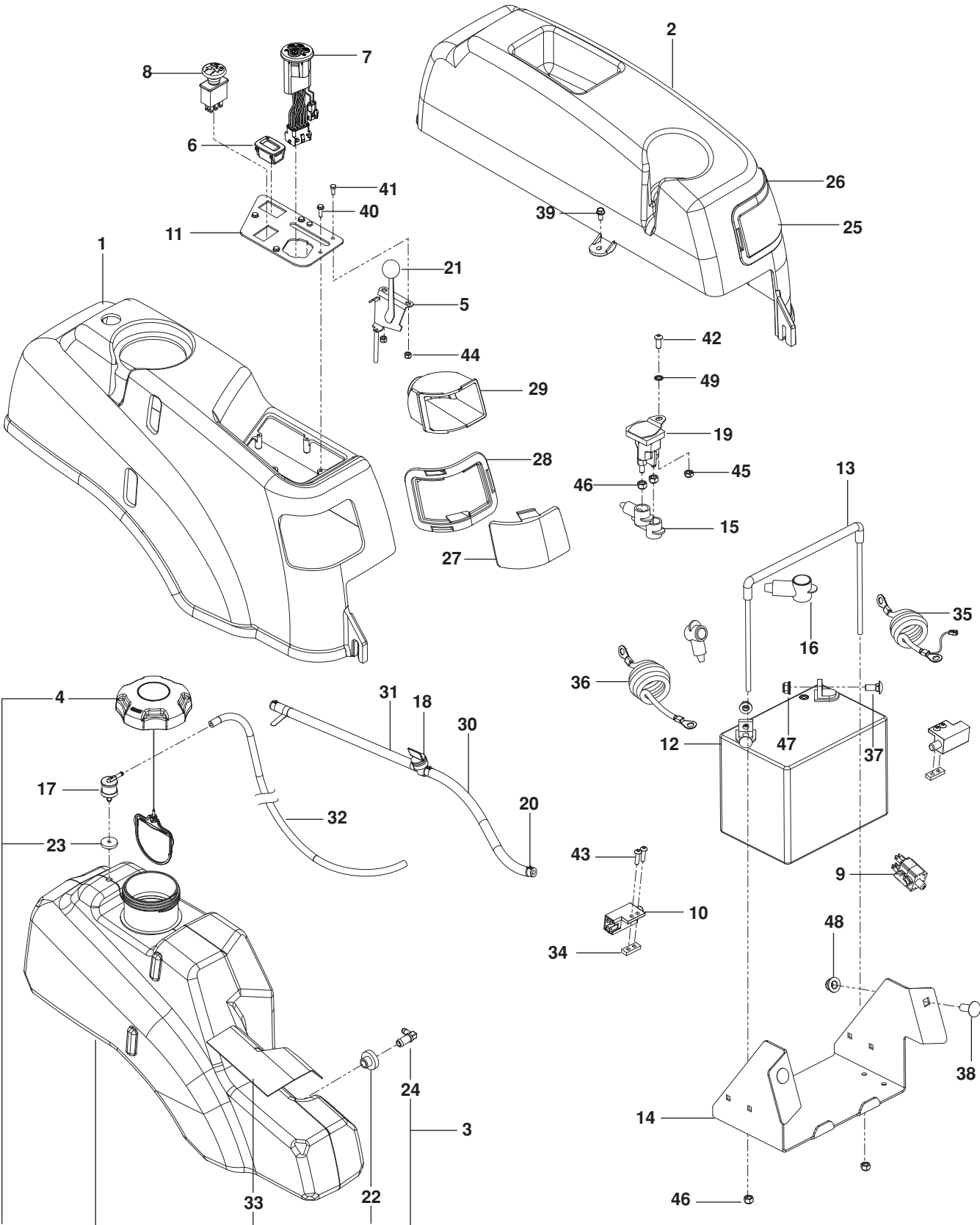
STEERING



STEERING

ITEM	PART NO.	QTY.	DESCRIPTION	ITEM	PART NO.	QTY.	DESCRIPTION
1..	579 036901....	2....	LEVER w/ GRIP	16..	539 116689....	2....	COUPLER, ROD END
2..	525 392901....	2....	GRIP, FOAM	17..	539 101332....	2....	HCS 1/2-13 x 2 3/4
3..	577 251701....	2....	BRACKET, CONTROL	18..	539 990209....	2....	HCS 5/16-18 x 1
4..	539 131518....	4....	BEARING, FLANGE	19..	539 976935....	1....	HCS 5/16-18 x 1 1/2
5..	576 140301....	2....	LEVER, CONTROL	20..	525 464701....	8....	HHFS 5/16-18 X 3/4
6..	577 420001....	2....	LEVER, HANDLE	21..	539 990669....	2....	HCS 5/16-18 x 1 3/4 TPBLT
7..	577 252401....	2....	SPACER, PIVOT CONTROL	22..	578 296402....	4....	SCREW 5/16-18 X 1 1/2 BTN HD
8..	539 102720....	2....	DAMPENER	23..	576 850402....	2....	SCREW 5/16-18 X 1 3/4 BTN HD
9..	577 251801 ...	2....	BLOCK, TRACKING	24..	539 108010....	2....	NUT 1/2-13 HEX JAM NYL GR2
10..	539 102845....	1....	SPRING	25..	539 112899..	10....	NUT 5/16-18 HEX FLG NYLOC
11..	576 850301....	1....	SPRING	26..	539 991073....	2....	NUT 5/16-24 HEX JAM LH
12..	539 131799....	1....	KNOB	27..	539 990717....	6....	NUT 5/16-18 HEX NYLOC
13..	580 624201....	2....	ROD, MOTION CONTROL	28..	539 990585....	4....	NUT 5/16-18 HEX WHIZLK
14..	539 115729....	2....	ROD END RH	29..	539 990223....	4....	NUT 5/16-24 HEX
15..	539 116690....	2....	ROD END MALE LH	30..	539 990188....	4....	WASHER 5/16 SAE FLT

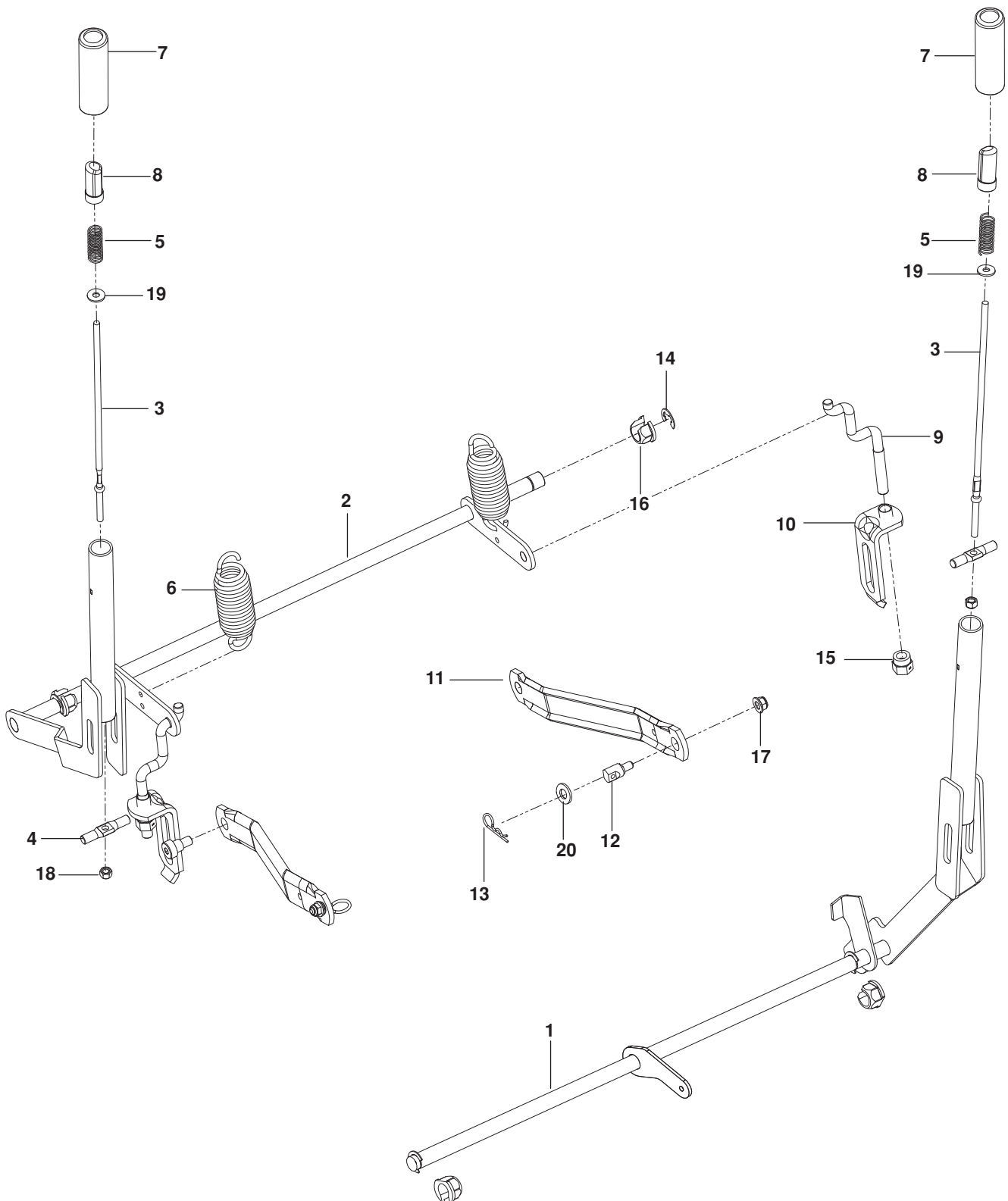
IGNITION



IGNITION

ITEM	PART NO.	QTY.	DESCRIPTION	ITEM	PART NO.	QTY.	DESCRIPTION
1..	578 178901....	1....	FENDER, RT GRY	28..	539 110451....	1....	RIM, RT
2..	539 130374....	1....	FENDER, LT GRY	29..	539 130671....	1....	REFLECTOR RT
3..	578 180601....	1....	TANK ASSY, FUEL		539 130672 ...	1....	REFLECTOR LT
4..	575 018101....	1....	CAP, FUEL w/ TETHER	30..	539 932956....	1....	FUEL LINE 10"
5..	539 102732....	1....	CABLE, THROTTLE	31..	505 215101....	1....	FUEL LINE 2½"
6..	532 401763....	1....	HOUR METER	32..	576 660605....	1....	HOSE ¾/16 x 15" VAPOR
7..	581 420402....	1....	SWITCH, IGNITION	33..	522 559101....	1....	SHIELD, HEAT
8..	532 174652....	1....	SWITCH, CLUTCH	34..	539 102678....	2....	PLATE, TAPPED
9..	539 113792....	1....	SWITCH, BRAKE	35..	539 103306....	1....	CABLE, POSITIVE RED
10..	532 109553....	2....	SWITCH, NC	36..	539 110068....	1....	CABLE, NEGATIVE BLK
11..	581 826101....	1....	PANEL, CONTROL	37..	539 990316....	2....	RHSNB 5/16-18 x ¾
12..	539 102436....	1....	BATTERY	38..	539 990645....	2....	RHSNB ¾/8-16 x 1
13..	539 131209....	1....	TIE DOWN, BATTERY	39..	539 108461....	2....	BOLT ¼-20 x ½
14..	510 231302....	1....	BOX, BATTERY BLK	40..	539 110673....	4....	SCREW 10-24 x ¾ WSH HD
15..	539 116400....	3....	TERMINAL COVER	41..	539 990411....	2....	SCREW 10-24 x ½ HEX HD
16..	539 102759....	1....	INSULATOR	42..	539 111229....	1....	SCREW ¼-20 x 5/8 BTN SKT
17..	576 618101....	1....	VALVE, FUEL CHECK	43..	574 822701....	4....	SCREW 10-24 x ¾ SKT HD
18..	539 916325....	1....	VALVE, FUEL	44..	539 976977....	2....	NUT 10-24 HEX NYLOC
19..	532 192507....	1....	SOLENOID	45..	539 108520....	1....	NUT ¼-20 HEX THIN NYLOC
20..	539 912222....	4....	CLAMP, HOSE	46..	539 976978....	4....	NUT ¼-20 HEX NYLOC
21..	539 133049....	1....	KNOB	47..	539 112899....	2....	NUT 5/16-18 FLANGE NYLOC
22..	539 105245....	1....	GROMMET, RUBBER	48..	521 996501....	2....	NUT ¾/8-16 HEX FLG NYLOC
23..	576 618201....	1....	GROMMET, CHECK VALVE	49..	539 990053....	2....	WASHER ¼ ITLW
24..	539 110432....	1....	ELBOW				NOT SHOWN
25..	539 110056....	1....	LENS, LT		581 606701 ...	1....	HARNESS, WIRING
26..	539 110455....	1....	RIM, LT		581 429401 ...	1....	HARNESS, WIRING
27..	539 110057....	1....	LENS, RT				

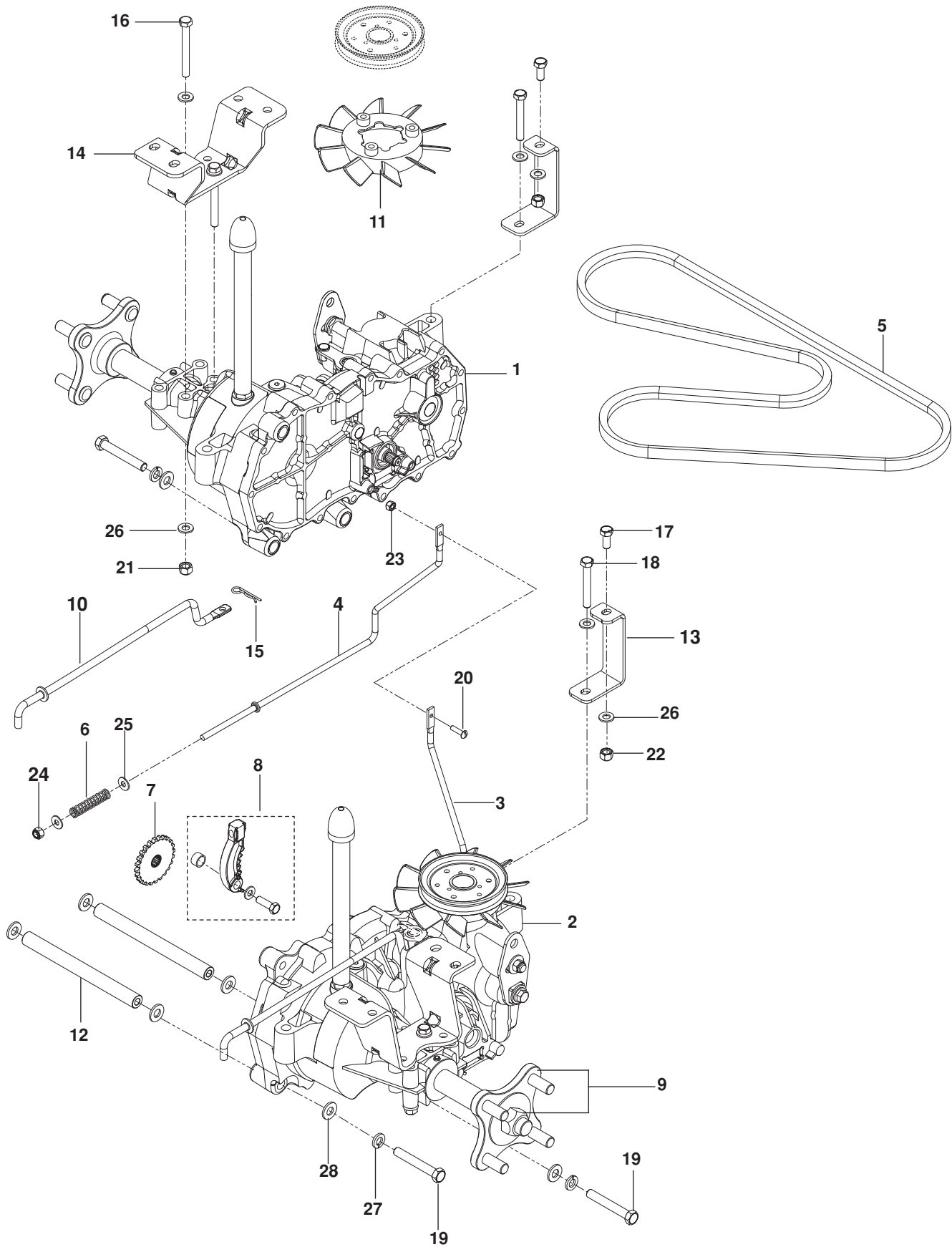
BRAKE / LIFT



BRAKE / LIFT

ITEM	PART NO.	QTY.	DESCRIPTION	ITEM	PART NO.	QTY.	DESCRIPTION
1..	580 435801....	1....	SHAFT, BRAKE	11..	532 195185....	2....	ARM, SUSPENSION RR
2..	532 448208....	1....	SHAFT, LIFT	12..	532 195161....	2....	STUD w/ANTI- ROTATE
3..	510 422901....	2....	ROD, HANDLE RELEASE	13..	539 976989....	2....	HAIRPIN
4..	580 960401....	1....	ROD, LATCH RELEASE	14..	539 105069....	3....	E-RING
5..	510 030701....	2....	SPRING, COMPRESSION	15..	532 175994....	2....	NUT, LIFT LINK
6..	539 118762....	2....	SPRING	16..	510 184901....	4....	NUT, PLASTIC
7..	510 207201....	2....	GRIP, HANDLE	17..	539 112899....	2....	NUT ⁵ / ₁₆ -18 HEX FLG NYLOC
8..	510 207301....	2....	BUTTON, PUSH	18..	873 800400....	2....	NUT ¹ / ₄ -20 HEX NYLOC
9..	525 847201....	2....	LINK, REAR SUSPENSION	19..	819 091216....	1....	WASHER ¹ / ₄ FLT
10..	522 858601....	2....	BRACKET, CENTERING LNK	20..	819 212113....	2....	WASHER ⁵ / ₈ SAE FLT

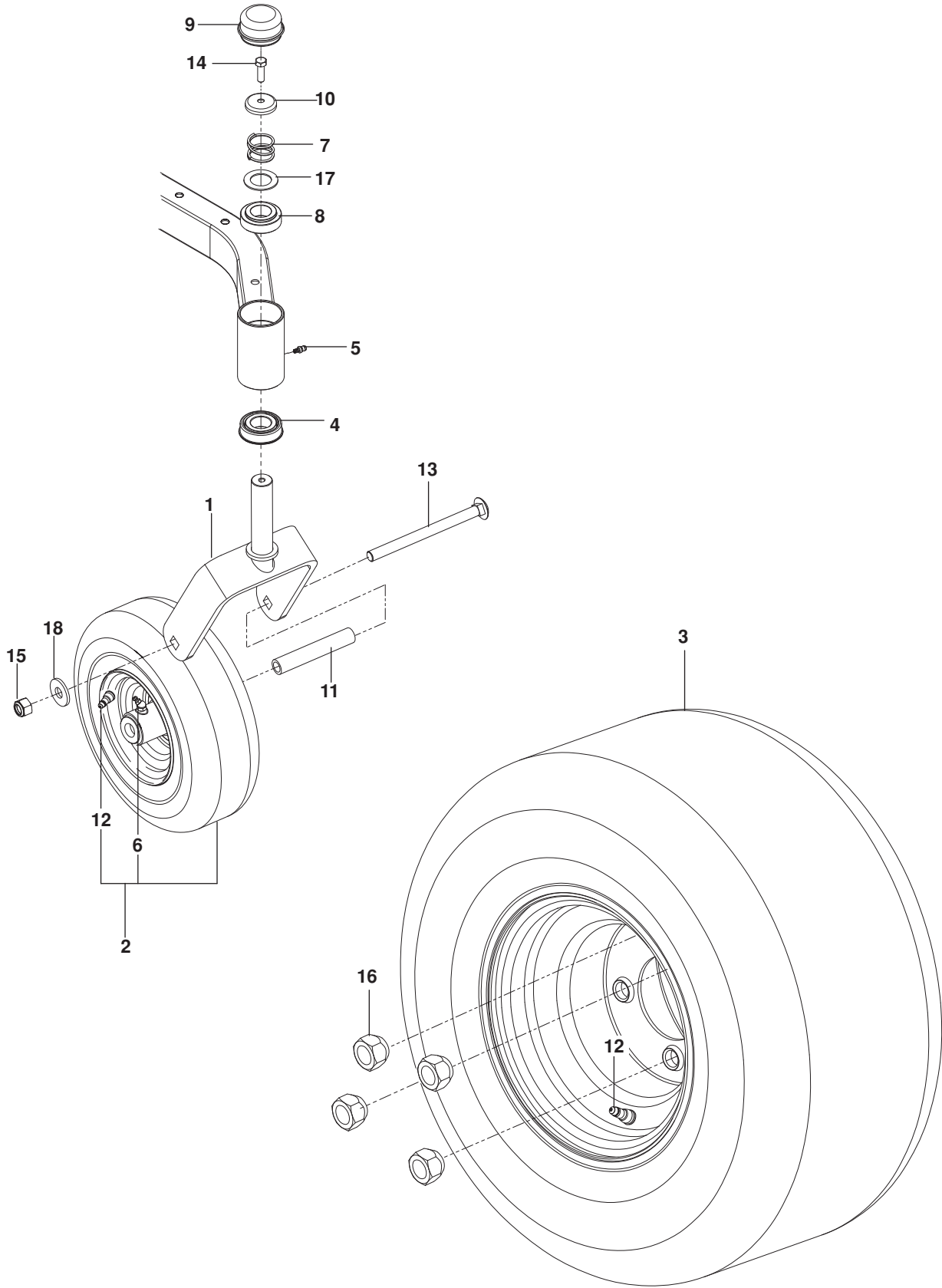
HYDRAULIC PUMP / MOTOR



HYDRAULIC PUMP / MOTOR

ITEM	PART NO.	QTY.	DESCRIPTION	ITEM	PART NO.	QTY.	DESCRIPTION
1..	510 375601....	1....	EZT, LT	15..	539 976988....	1....	HAIRPIN
2..	510 375602....	1....	EZT, RT	16..	539 101721....	4....	HCS $\frac{5}{16}$ -18 x $2\frac{3}{4}$
3..	574 030501....	1....	ROD, EZT BRAKE LT	17..	539 976934....	2....	HCS $\frac{5}{16}$ -18 x $\frac{3}{4}$
4..	574 030502....	1....	ROD, EZT BRAKE RT	18..	539 976938....	2....	HCS $\frac{5}{16}$ -18 x $2\frac{1}{4}$
5..	539 110411....	1....	BELT, EZT	19..	539 990637....	4....	HCS $\frac{3}{8}$ -16 x $2\frac{1}{2}$
6..	539 110342....	2....	SPRING, BRAKE ROD	20..	539 108535....	1....	SCREW 10-24 x $\frac{3}{4}$ SLTD RD
7..	539 120080....	2....	COG, BRAKE DISC	21..	539 990717..	10....	NUT $\frac{5}{16}$ -18 HEX NYLOC
8..	539 120079....	2....	BRAKE ARM KIT	22..	539 115617....	2....	NUT $\frac{5}{16}$ -18 NYLOC INSERT
9..	575 507001....	1....	HUB KIT w/ HUBS, NUTS	23..	539 976977....	1....	NUT 10-24 HEX NYLOC
10..	522 941101....	2....	LINK ARM, BYPASS	24..	539 976978....	2....	NUT $\frac{1}{4}$ -20 HEX NYLOC
11..	539 120785....	2....	BLADE, FAN	25..	539 990055....	4....	WASHER $\frac{1}{4}$ SAE FLT
12..	510 184101....	2....	SPACER TUBE	26..	539 990188..	14....	WASHER $\frac{5}{16}$ SAE FLT
13..	580 806502....	2....	SUPPORT, EZT FRT	27..	539 990118....	4....	WASHER $\frac{3}{8}$ SPLT LCK
14..	580 806602....	2....	MOUNT, EZT RR BLK	28..	539 990122....	8....	WASHER $\frac{3}{8}$ SAE FLT

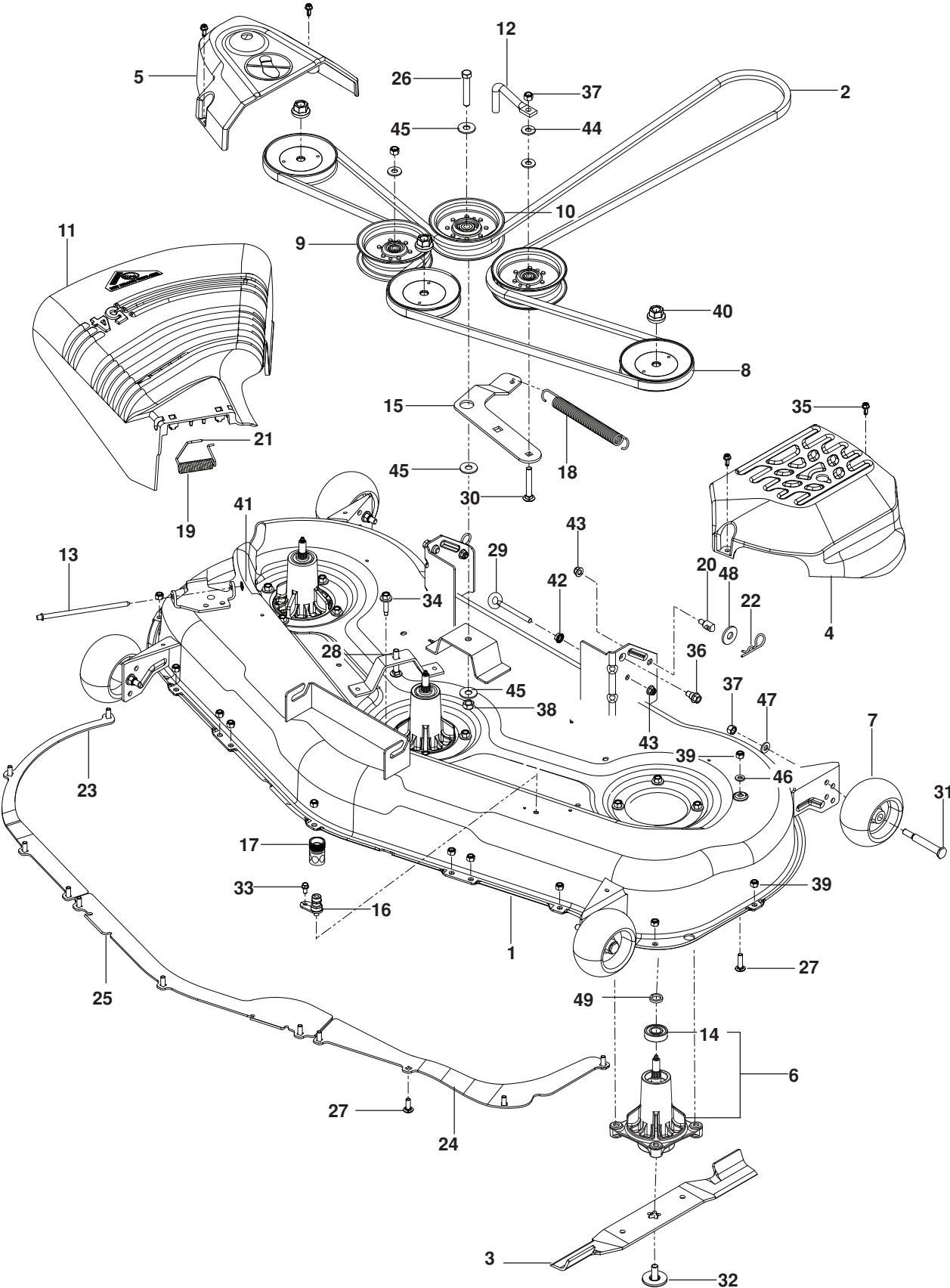
WHEELS AND TIRES



WHEELS AND TIRES

ITEM	PART NO.	QTY.	DESCRIPTION	ITEM	PART NO.	QTY.	DESCRIPTION
1..	576 588802....	2....	YOKE, ORG	10..	539 115749....	2....	PLUG, CASTER
2..	576 588602....	2....	CASTER TIRE ASSY	11..	576 588901....	2....	SPACER
3..	579 753401....	2....	WHEEL ASSY, REAR 18 x 9.5	12..	539 912234....	4....	VALVE STEM
4..	539 112660....	2....	BEARING, FLANGED	13..	576 601501....	2....	RHSNB 1/2-13 x 7 1/2
5..	539 115638....	2....	ZERK 3/16 DRIVE	14..	539 115566....	2....	HHB w/ NY 5/16-18 x 1
6..	539 103300....	2....	ZERK	15..	539 200100....	2....	NUT 1/2 HEX CNTRLK
7..	539 115747....	2....	SPRING, CASTER	16..	539 101173....	8....	NUT 1/2 LUG
8..	539 117901....	2....	BUSHING, CASTER	17..	539 115675....	2....	WASHER
9..	539 102535....	2....	GREASE CAP	18..	539 109554....	2....	WASHER 1/2 FLT

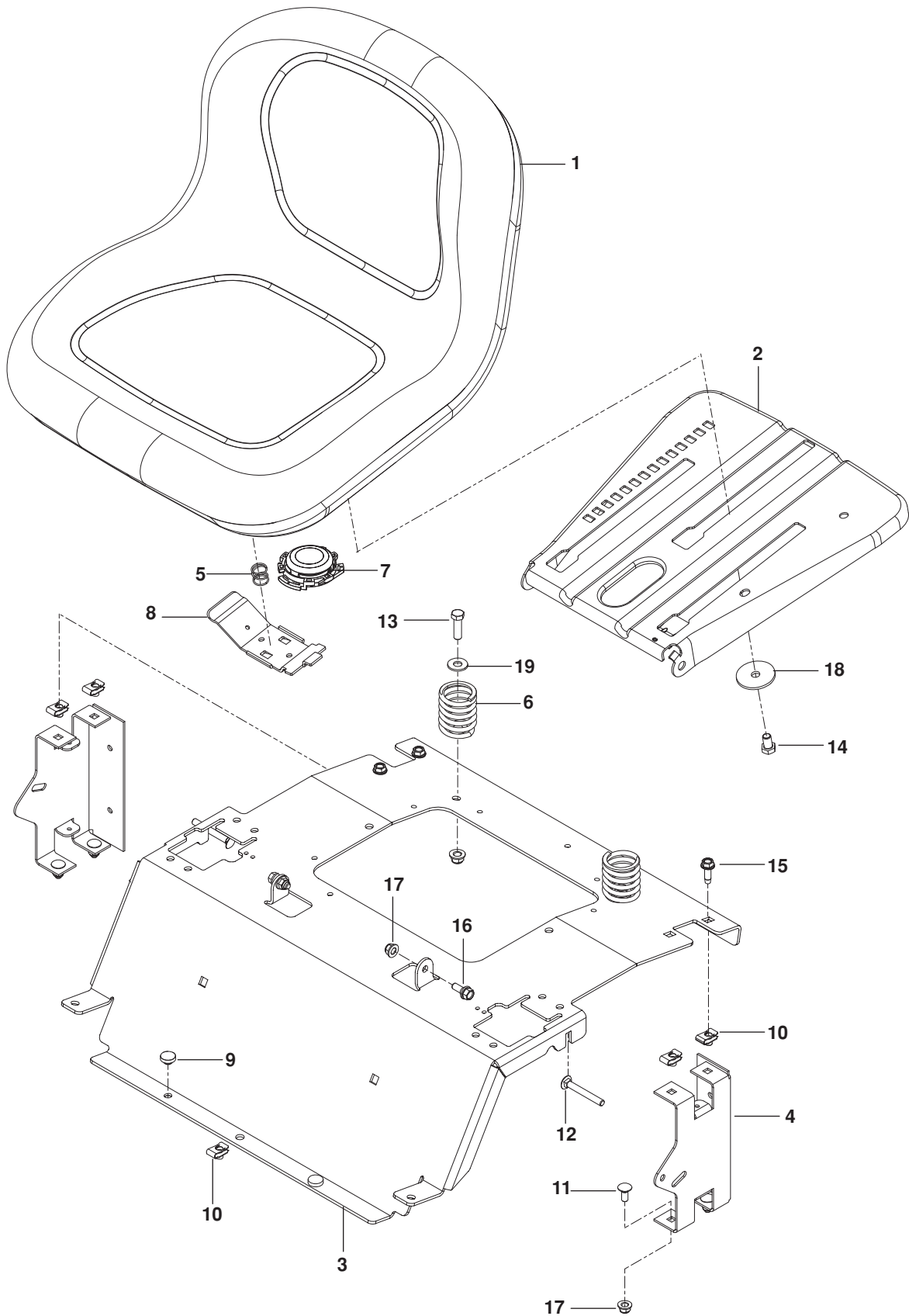
MOWER DECK / CUTTING DECK



MOWER DECK / CUTTING DECK

ITEM	PART NO.	QTY.	DESCRIPTION	ITEM	PART NO.	QTY.	DESCRIPTION
1..	583 909301....	1....	DECK w/ SAFETY DECALS	26..	539 104870....	1....	HCS $\frac{7}{16}$ -14 x 2 $\frac{1}{2}$
2..	539 114557....	1....	V-BELT	27..	539 990316..	12....	RHSNB $\frac{5}{16}$ -18 x $\frac{3}{4}$
3..	532 187256....	3....	BLADE, BAGGING	28..	539 100145....	1....	RHSNB $\frac{3}{8}$ -16 x 2
4..	532 187297....	1....	BELT SHIELD, LT	29..	539 115574....	1....	EYE BOLT $\frac{5}{16}$ x 3 $\frac{1}{2}$
5..	532 188187....	1....	BELT SHIELD, RT	30..	539 128101....	1....	BOLT $\frac{3}{8}$ -16 x 2 $\frac{1}{4}$ CARRIAGE
6..	539 112057....	3....	HOUSING ASSY, CUTTER	31..	539 107608....	4....	BOLT $\frac{1}{2}$ x 2 $\frac{5}{8}$ SHOULDER
7..	539 107610....	5....	WHEEL, GAUGE	32..	539 107522....	3....	BOLT WASHER ASSM
8..	539 112171....	3....	PULLEY	33..	539 108461....	1....	BOLT $\frac{1}{4}$ -20 x $\frac{1}{2}$ HWST
9..	532 196106....	2....	PULLEY, IDLER	34..	539 107630..	12....	SCREW $\frac{5}{16}$ -18 x WSHR HD
10..	532 196104....	1....	PULLEY, IDLER	35..	539 107631....	4....	SCREW $\frac{1}{4}$ -20 x $\frac{5}{8}$ THDROLL
11..	539 112054....	1....	DEFLECTOR	36..	532 196539....	2....	SCREW, SHOULDER
12..	522 629701....	1....	KEEPER, BELT	37..	539 976979....	6....	NUT $\frac{3}{8}$ -16 HEX NYLOC
13..	539 110462....	1....	ROD, HINGE	38..	539 119124....	1....	NUT $\frac{7}{16}$ -14 HEX
14..	539 112050....	1....	BEARING	39..	539 990717..	12....	NUT $\frac{5}{16}$ -18 HEX NYLOC
15..	510 220002....	1....	ARM, IDLER	40..	539 107590....	3....	NUT $\frac{9}{16}$ TOP CNTRLK
16..	532 415598....	1....	PORT, WASHOUT	41..	539 107626....	1....	PUSHNUT
17..	532 416405....	1....	COUPLING, QUICK CONN	42..	539 990585....	1....	NUT $\frac{5}{16}$ -18 HEX WHIZLK
18..	539 120920....	1....	SPRING, DECK BELT	43..	539 112899....	4....	NUT $\frac{5}{16}$ -18 FLANGE NYLOC
19..	539 107609....	1....	SPRING, TORSION	44..	539 990517....	3....	WASHER $\frac{3}{8}$ FLAT STD
20..	532 195161....	2....	STUD, w/ ANTI-ROTATE	45..	539 104864....	3....	WASHER $\frac{7}{16}$ FLAT
21..	539 107627....	1....	CAP, SLEEVE	46..	539 990188....	1....	WASHER $\frac{5}{16}$ SAE FLAT
22..	539 976989....	2....	HAIRPIN #4	47..	539 990122....	4....	WASHER $\frac{3}{8}$ SAE FLT
23..	539 112059....	1....	BAFFLE, RT	48..	539 109554....	2....	WASHER $\frac{1}{2}$ FLAT
24..	539 112060....	1....	BAFFLE, LT	49..	532 187690....	3....	WASHER/SPACER
25..	539 112062....	1....	BAFFLE, CNTR				

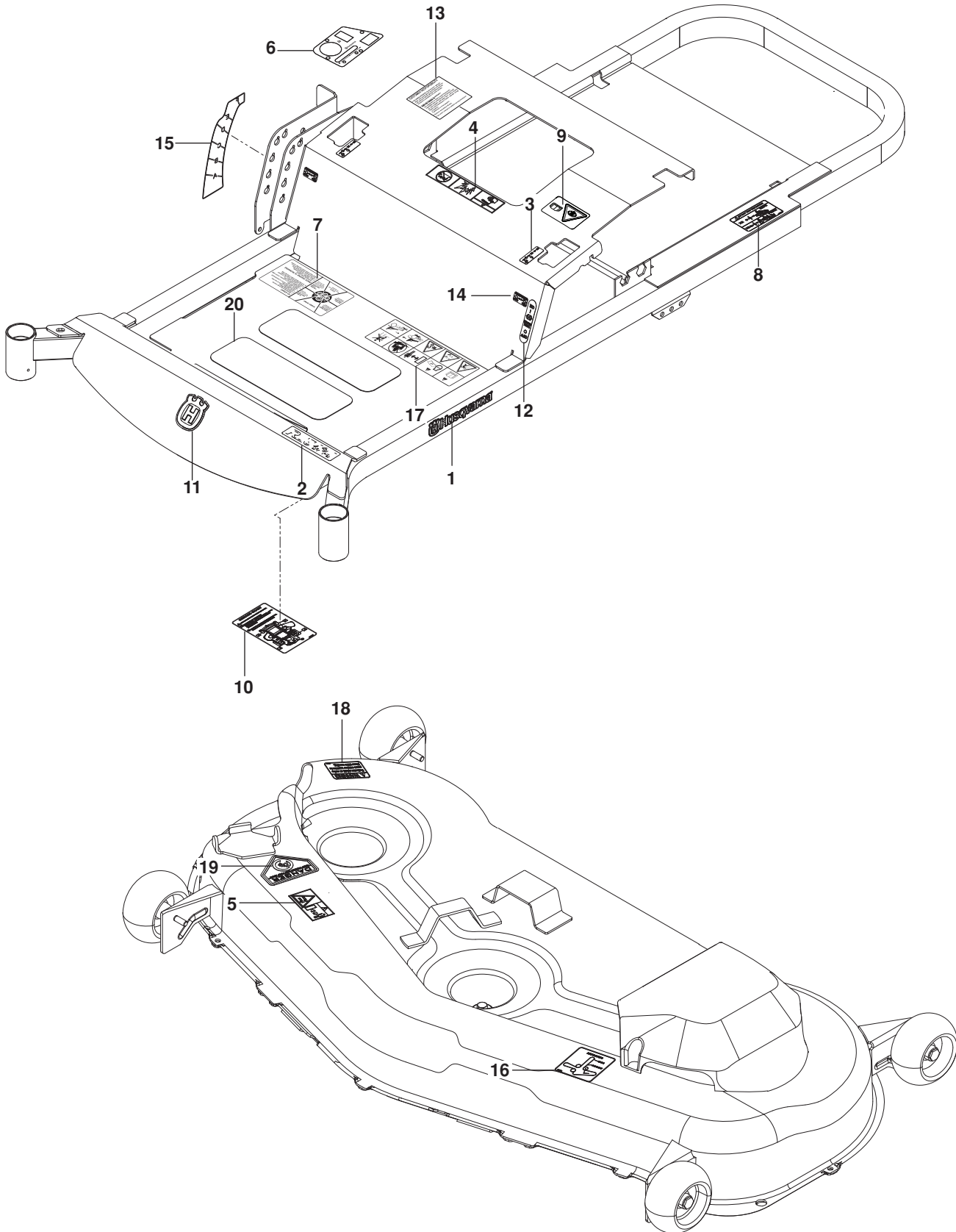
SEAT



SEAT

ITEM	PART NO.	QTY.	DESCRIPTION	ITEM	PART NO.	QTY.	DESCRIPTION
1..	532 439822....	1....	SEAT	11..	539 990316....	4....	RHSNB $\frac{5}{16}$ -18 x $\frac{3}{4}$
2..	532 196977....	1....	PAN, SEAT	12..	510 422701....	2....	RHSNB $\frac{5}{16}$ -18 x $2\frac{1}{2}$
3..	577 260503....	1....	SUPPORT, SEAT ORG	13..	539 976941....	2....	HCS $\frac{3}{8}$ -16 x $1\frac{1}{4}$
4..	580 308202....	2....	SUPPORT, SEAT RR BLK	14..	539 108503....	1....	HCS $\frac{3}{8}$ -16 x $\frac{5}{8}$
5..	532 198200....	1....	SPRING, LATCH	15..	539 107475....	4....	BOLT $\frac{5}{16}$ -18 x $\frac{3}{4}$ THD FRM
6..	532 124181....	2....	SPRING, SEAT	16..	539 110303....	2....	BOLT $\frac{5}{16}$ -18 SHOULDER
7..	581 429301....	1....	SWITCH, SEAT	17..	539 112899....	4....	NUT $\frac{5}{16}$ -18 HEX FLG NYLOC
8..	532 197661....	1....	HANDLE, SLIDE	18..	539 111897....	1....	WASHER $\frac{3}{8}$ SPECIAL
9..	539 102587....	2....	GROMMET, BUMPER	19..	539 990517....	2....	WASHER $\frac{3}{8}$ STD FLT
10..	539 104763....	5....	RETAINER, U TYPE				

DECALS

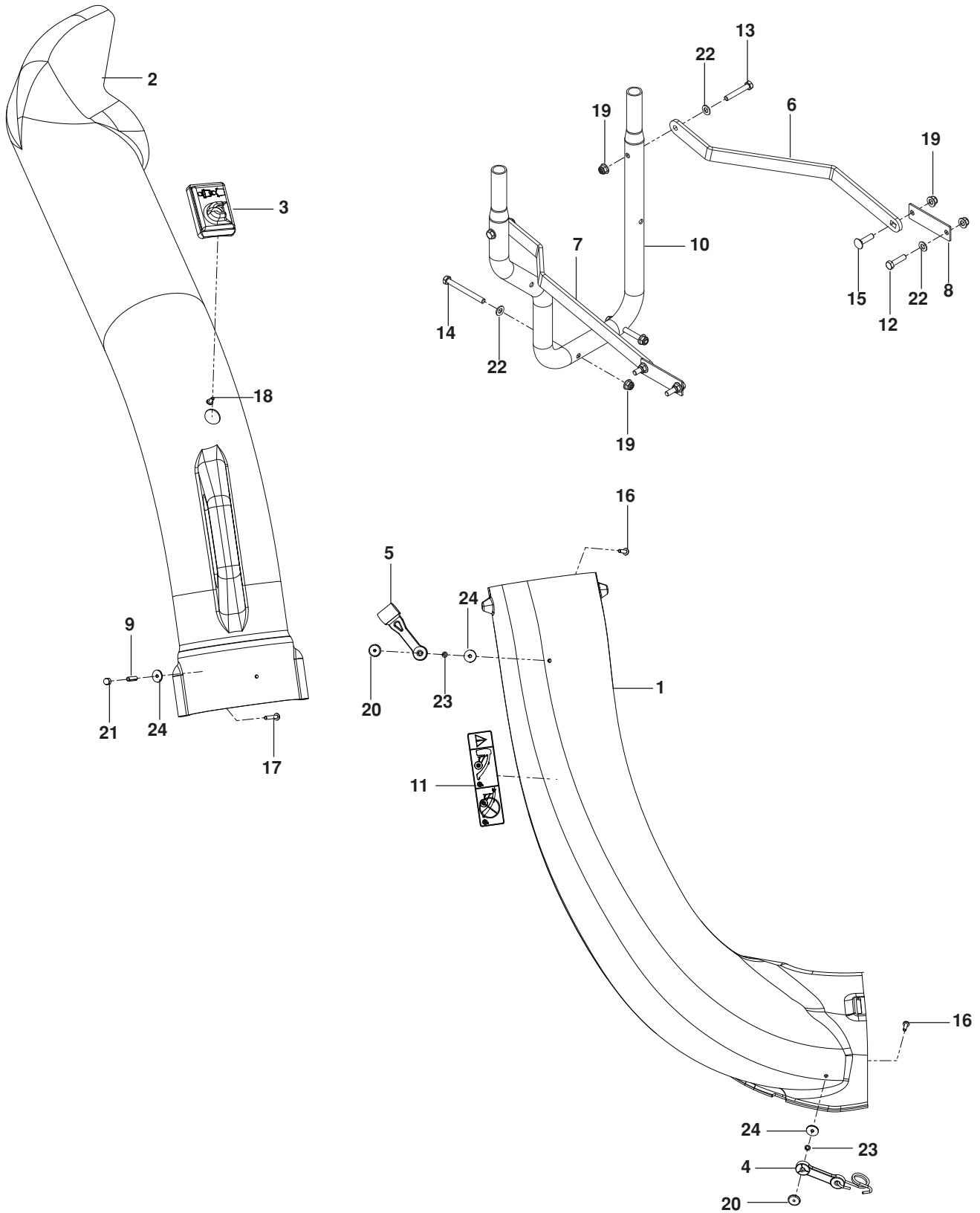


DECALS

ITEM	PART NO.	QTY.	DESCRIPTION	ITEM	PART NO.	QTY.	DESCRIPTION
1..	532 429196....	2....	DECAL, HUSQVARNA	11..	532 428676....	1....	DECAL, CROWN
2..	583 810201....	1....	DECAL, RZ54i	12..	539 120006....	1....	DECAL, PARK BRAKE
3..	539 103333....	2....	DECAL, MOTION CONTROL	13..	539 110522....	1....	DECAL, RESPONSIBILITIES
4..	539 105745....	1....	DECAL, BATTERY WARNING	14..	539 110974....	2....	DECAL, TRACKING
5..	539 105746....	1....	DECAL, SEVERING	15..	576 979101....	1....	DECAL, HEIGHT
6..	581 929901....	1....	DECAL, CONSOLE	16..	539 112620....	1....	DECAL, BELT ROUTING
7..	583 933701....	1....	DECAL, STARTING	17..	583 934001....	1....	DECAL, SAFETY WARNING
8..	539 108385....	1....	DECAL, DO NOT TOW	18..	581 724401....	1....	DECAL, DISCHARGE
9..	539 108386....	1....	DECAL, EXIT	19..	539 913010....	1....	DECAL, BLADES
10..	539 109897....	1....	DECAL, SERVICE	20..	539 977778....	3....	ABRASIVE PAD

ACCESSORIES

CHUTES, MOUNT

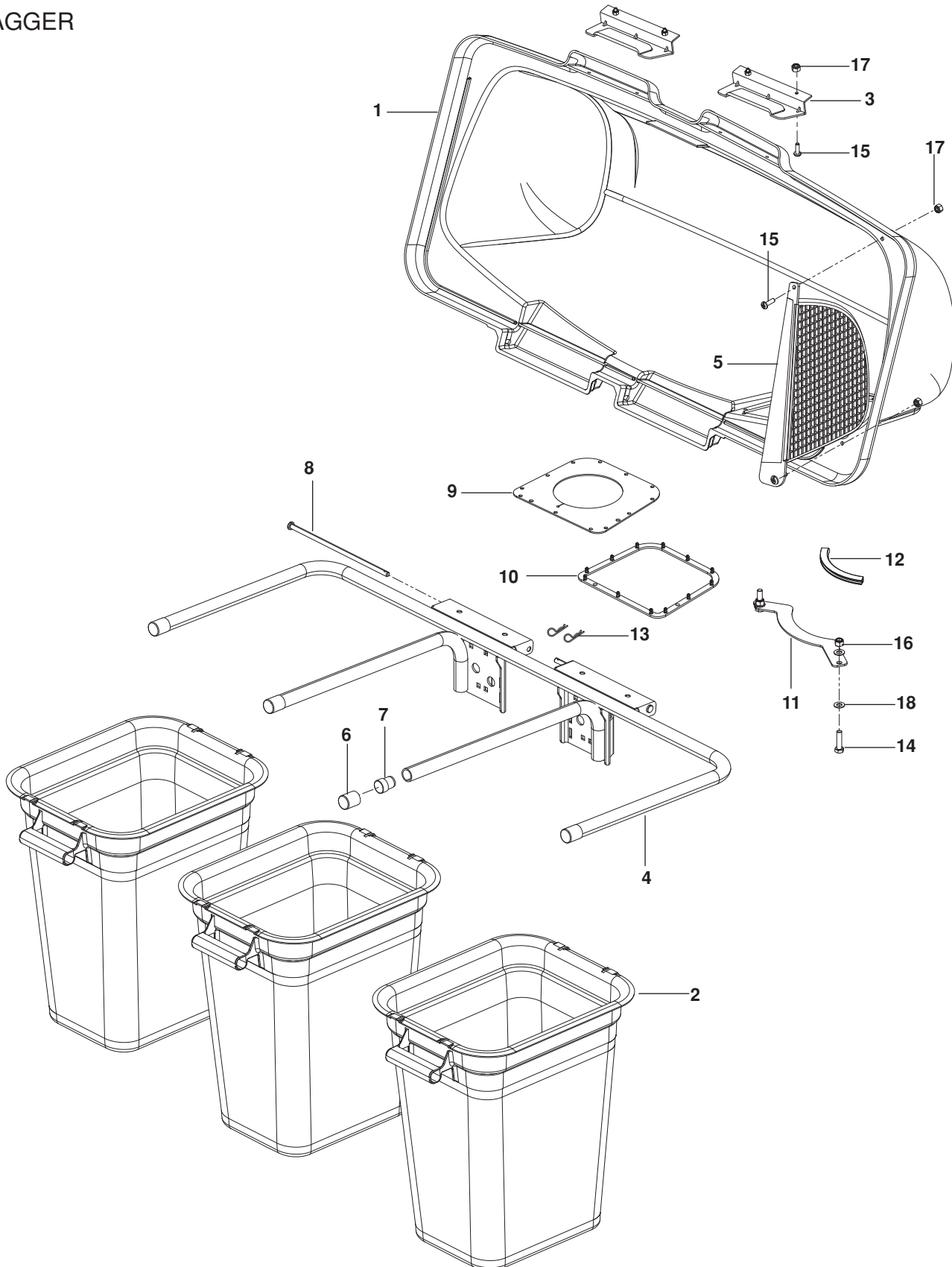


ACCESSORIES

ITEM	PART NO.	QTY.	DESCRIPTION	ITEM	PART NO.	QTY.	DESCRIPTION
1..	539 113204....	1....	CHUTE, LOWER	13..	539 976937....	2....	HCS $\frac{5}{16}$ -18 x 2
2..	539 108141....	1....	CHUTE, UPPER	14..	539 101520....	2....	HCS $\frac{5}{16}$ -18 x $3\frac{1}{4}$
3..	539 108082....	1....	DUMP BAG INDICATOR	15..	539 110472....	2....	RHSNB $\frac{5}{16}$ -18 x $1\frac{1}{4}$
4..	539 108194....	2....	LATCH	16..	539 976952....	3....	SCREW #10-24 x $\frac{5}{8}$
5..	539 108088....	1....	LATCH, HOOD	17..	539 108083....	1....	SCREW #10-24 x $1\frac{1}{8}$
6..	522 854502....	1....	STRAP, SUPPORT, LT	18..	539 108081....	1....	SCREW #10-14 x $\frac{1}{2}$
7..	522 854402....	1....	STRAP, SUPPORT, RT	19..	539 112899....	8....	NUT $\frac{5}{16}$ -18 FLANGE NYLOC
8..	523 112802....	2....	PLATE, REINFORCE	20..	539 108089....	3....	NUT, WELD PLATED
9..	539 108085....	1....	SPACER, SPLIT	21..	539 108086....	1....	NUT #10-24 ACORN
10..	539 131091....	1....	MOUNT, TUBE	22..	539 990188....	6....	WASHER $\frac{5}{16}$ SAE
11..	539 108163....	1....	DECAL, CATCHER	23..	539 109552....	2....	WASHER $\frac{3}{16}$ LOCK
12..	539 990627....	2....	HCS $\frac{5}{16}$ -18 x $1\frac{1}{4}$	24..	539 108084....	4....	WASHER $\frac{3}{16}$ x $\frac{3}{4}$ 16 GA

ACCESSORIES

BAGGER



ACCESSORIES

ITEM	PART NO.	QTY.	DESCRIPTION	ITEM	PART NO.	QTY.	DESCRIPTION
1..	532 195373....	1....	COVER	10..	532 192603....	1....	GASKET, COVER
2..	532 400226....	3....	CONTAINER, SOFT BAG	11..	539 110281....	1....	SUPPORT, CHUTE
3..	532 130895....	2....	HANDLE, BAGGER COVER	12..	539 112294....	1....	FLEX TRIM
4..	539 108098....	1....	FRAME, BAGGER	13..	539 108096....	2....	HAIR PIN
5..	532 192709....	1....	SCREEN, COVER	14..	539 990627....	2....	HCS $\frac{5}{16}$ -18 x $1\frac{1}{4}$
6..	539 108097....	4....	PLUG, TUBING END	15..	539 976952....	6....	SCREW #10-24 x $\frac{5}{8}$
7..	522 801301....	2....	PLUG, SPACER	16..	539 112899....	2....	NUT $\frac{5}{16}$ -18 HEX FLG NYLOC
8..	532 192786....	2....	PIN, HINGE	17..	539 976977....	6....	NUT #10-24 CROWNLOCK
9..	532 192550....	1....	SEAL, COVER	18..	539 990188....	4....	WASHER $\frac{5}{16}$ SAE

